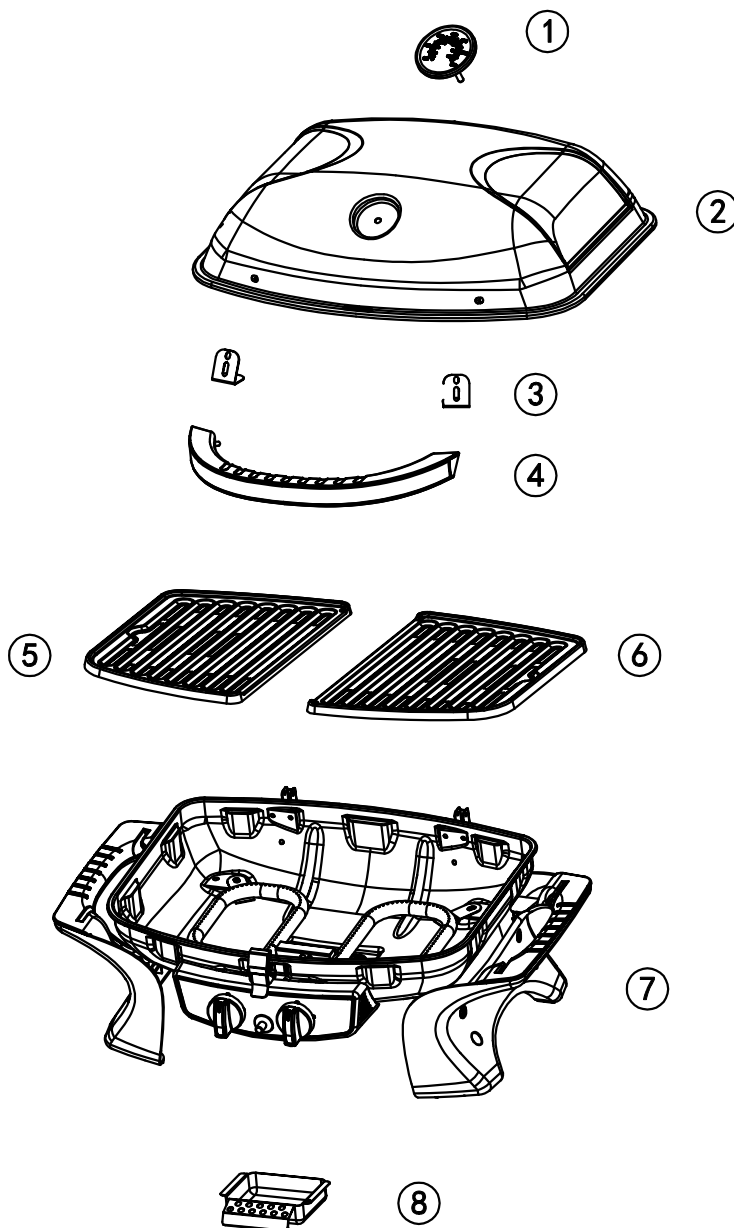
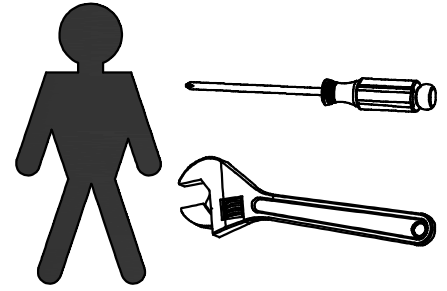
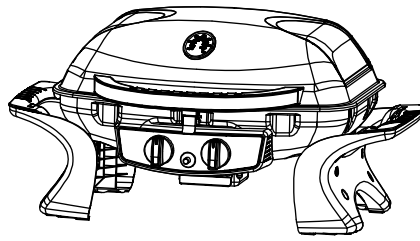


02073

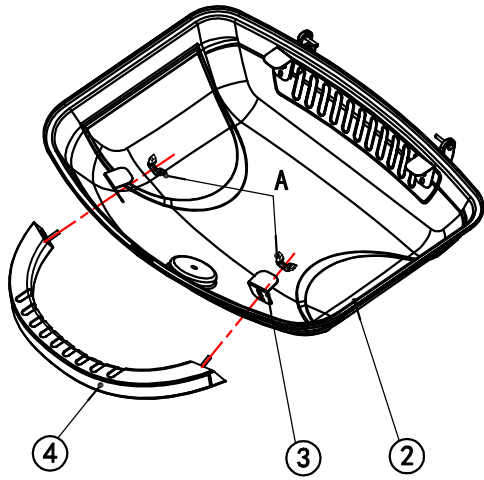
ISTRUZIONI MONTAGGIO

20|39



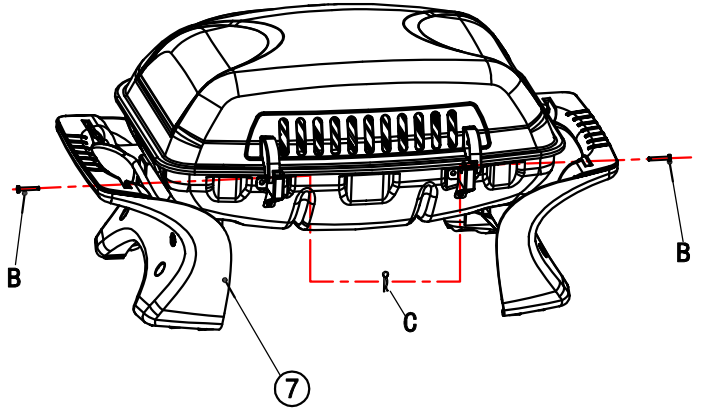
① *1 	② *1 	③ *2
④ *1 	⑤ *1 	⑥ *1
⑦ *1 	⑧ *1 	A M5*2
B 2 	C 2 	

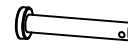

1



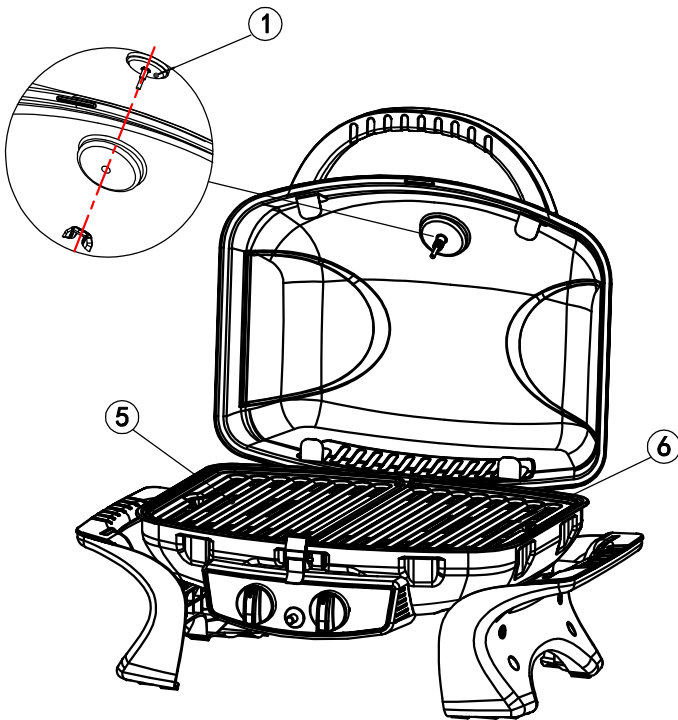
A		2PCS
---	---	------

2



B		2PCS
C		2PCS

3



4

