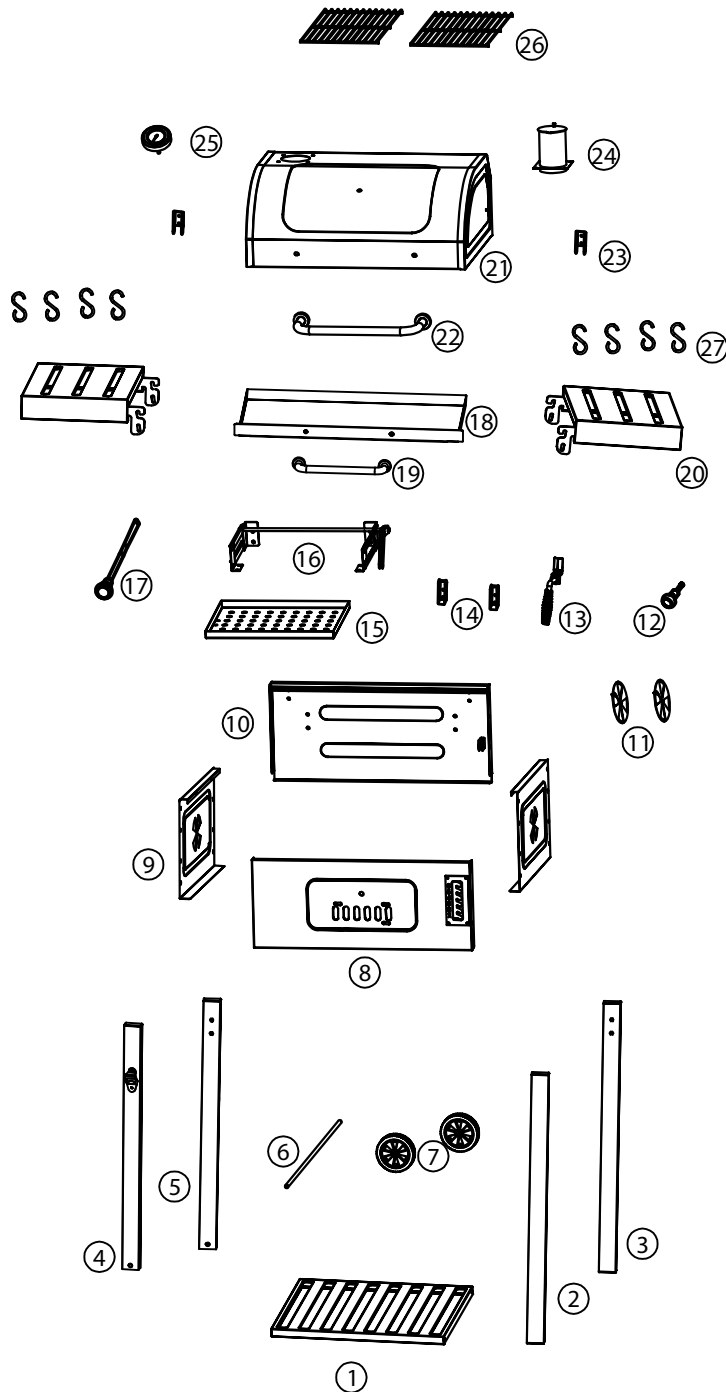
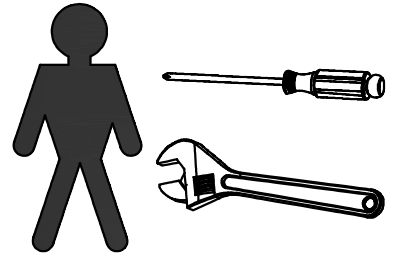
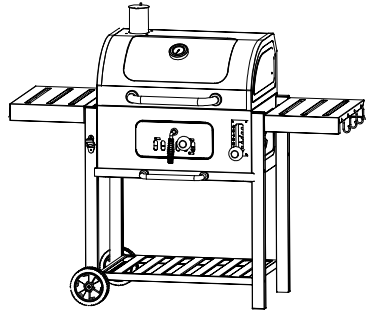


02054

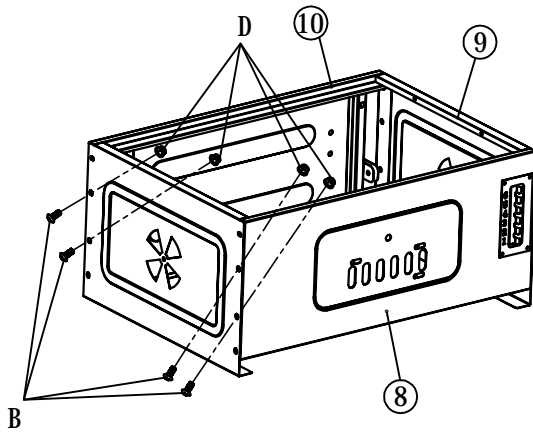
ISTRUZIONI MONTAGGIO

20/39



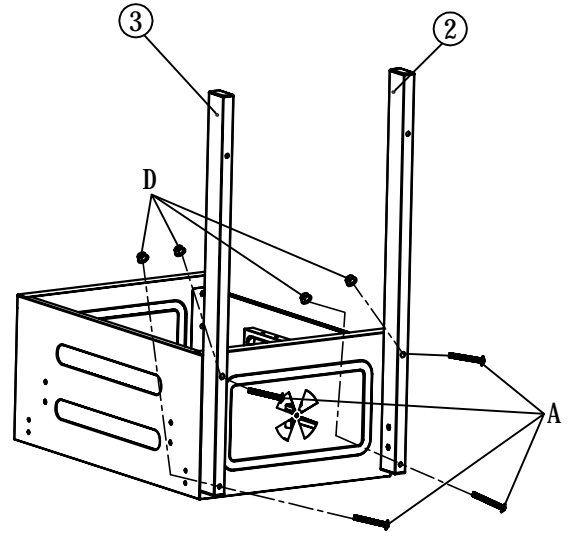
① *1 	② *1(RF) 	③ *1(RB)
④ *1(LF) 	⑤ *1(LB) 	⑥ *1
⑦ *2 	⑧ *1 	⑨ *2
⑩ *1 	⑪ *2 	⑫ *1
⑬ *1 	⑭ *2 	⑮ *1
⑯ *1 	⑰ *1 	⑱ *1
⑲ *1 	⑳ *2 	㉑ *1
㉒ *1 	㉓ *2 	㉔ *1
㉕ *1 	㉖ *2 	㉗ *8
AM6-65*12 	BM6-15*26 	C*10
DM6*30 	E M6- 40*8 	F 7-25 *2
G 7-40*2 	H*4 	I *2
J *8 		

1



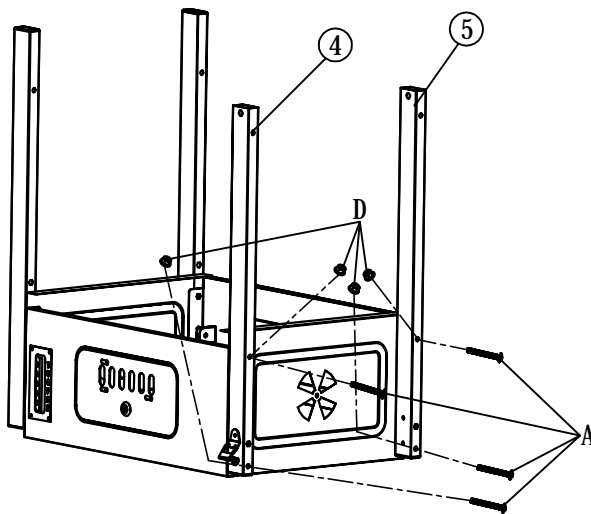
D		8PCS
B		8PCS

2



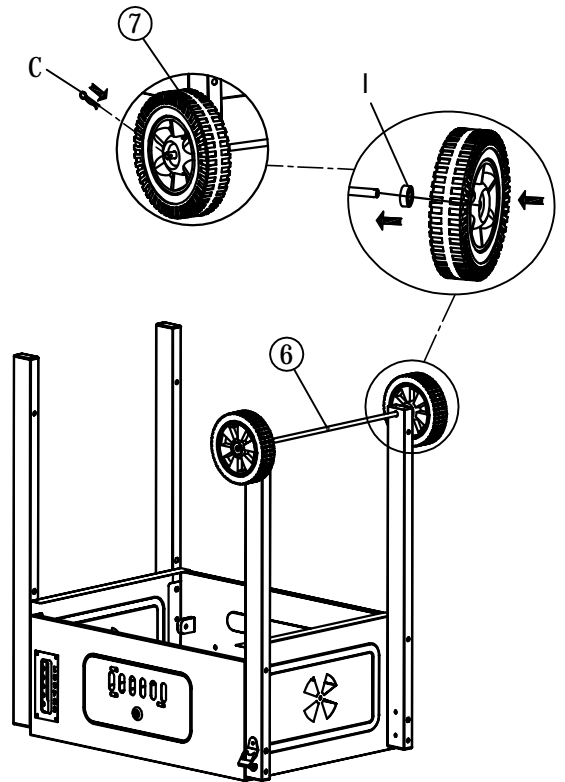
A		4PCS
D		4PCS

3



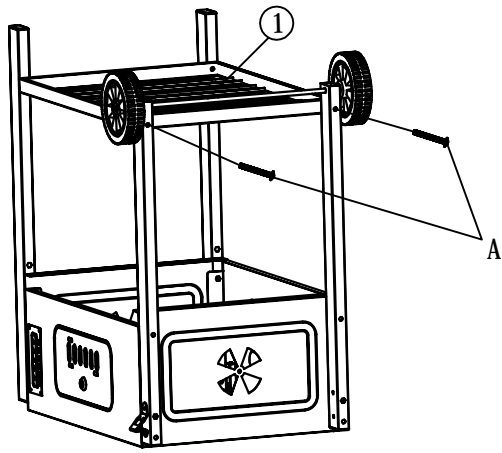
A		4PCS
D		4PCS

4



C		2PCS
I		2PCS

5

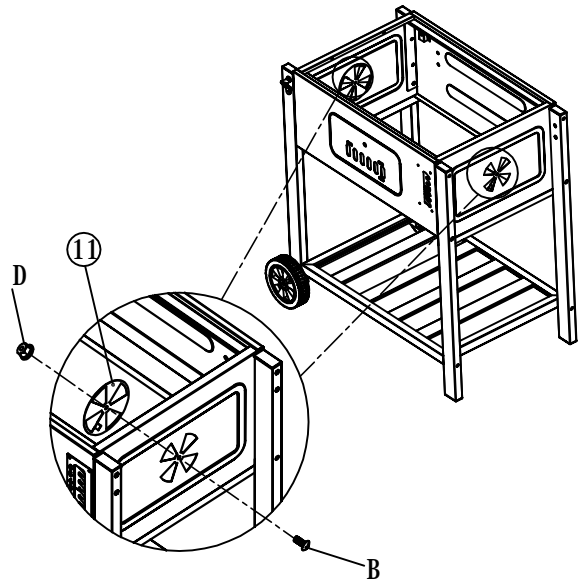


A



4PCS

6



D



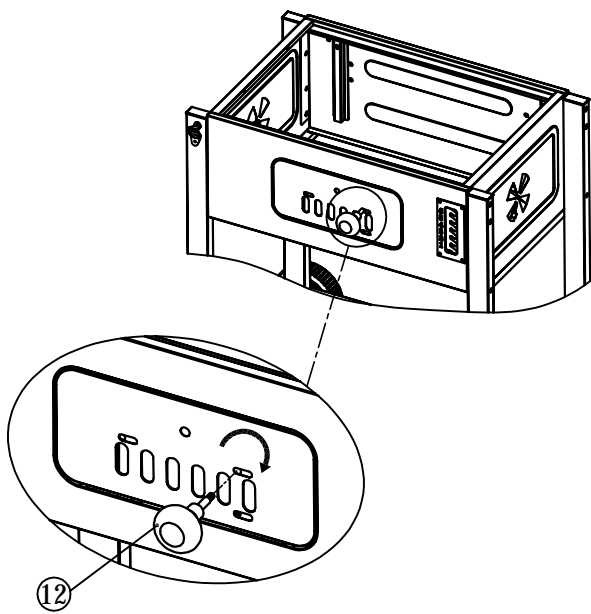
2PCS

B



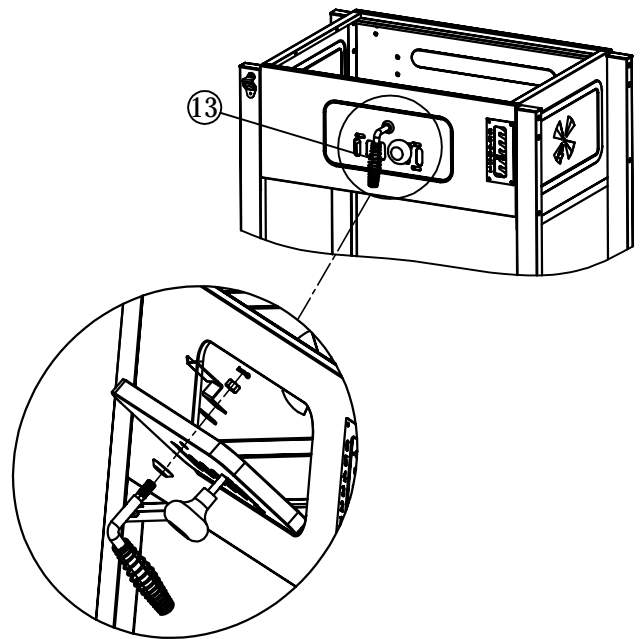
2PCS

7



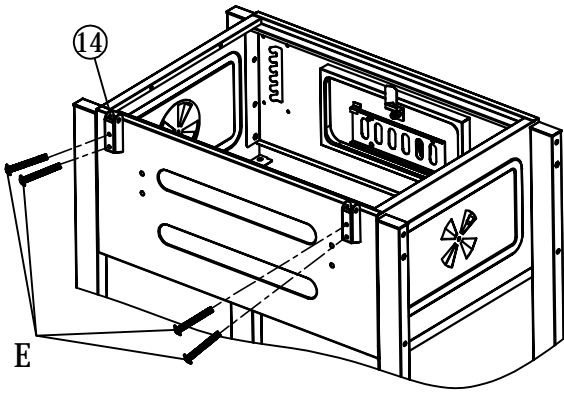
12

8



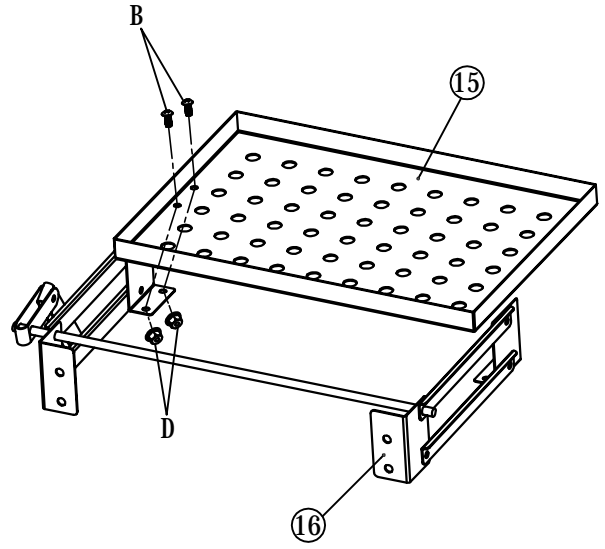
13





9



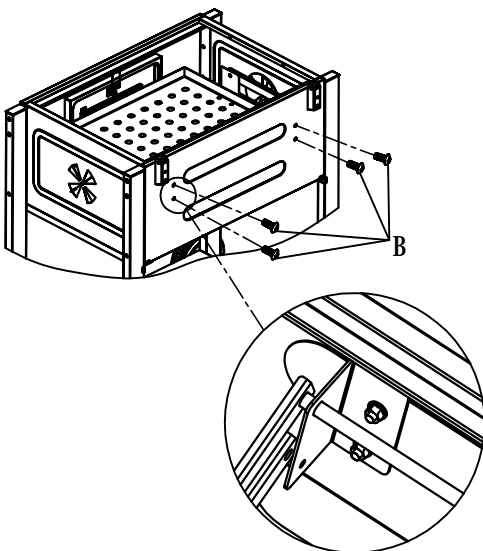
E			4PCS
---	---	---	------

10



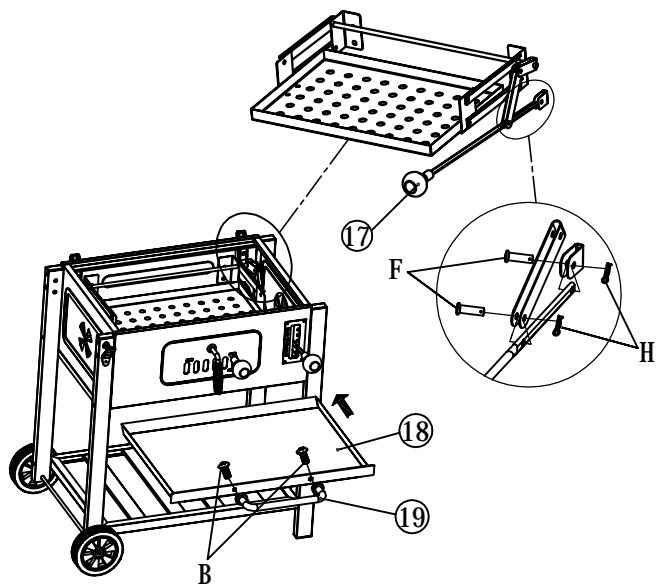
D			4PCS
B			4PCS





11



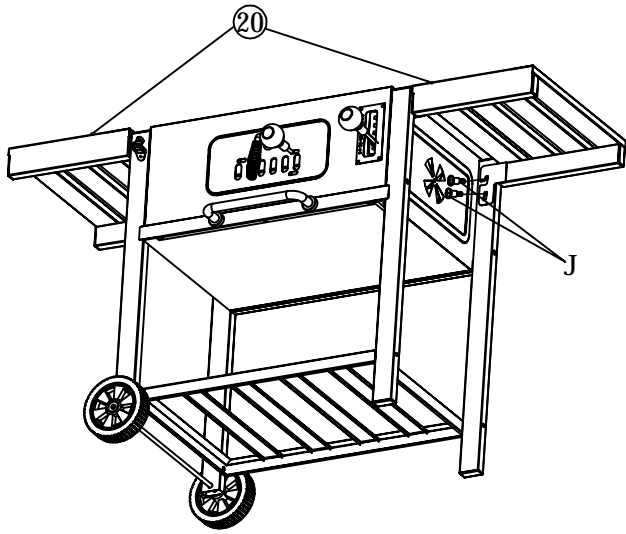
B			4PCS
---	---	---	------

12



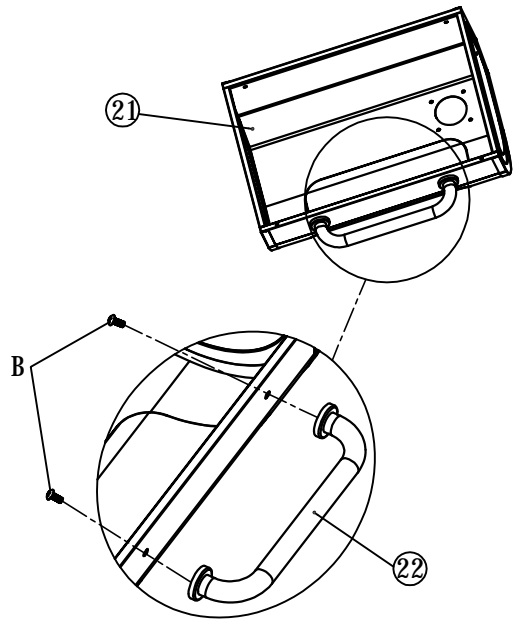
B			2PCS
F			2PCS
H			2PCS

13



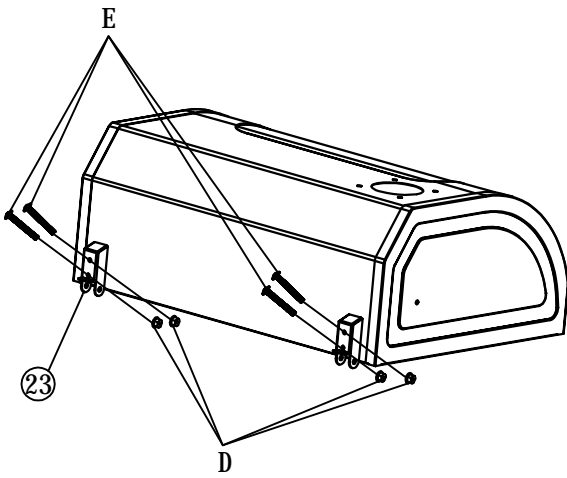
J		8PCS
---	--	------

14



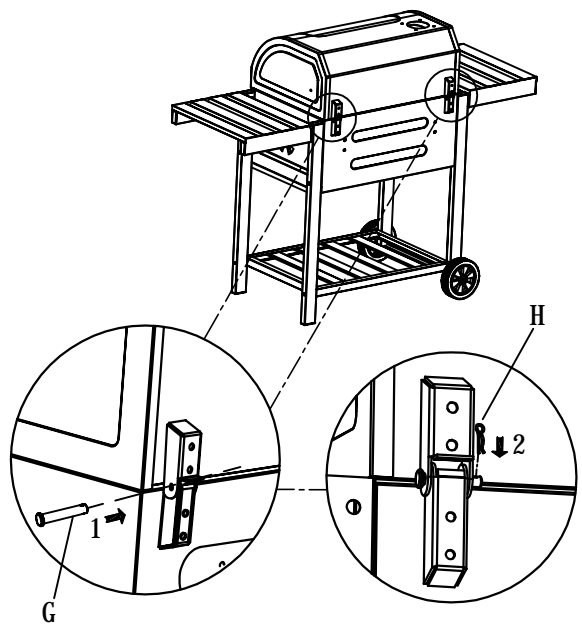
B		2PCS
---	--	------

15



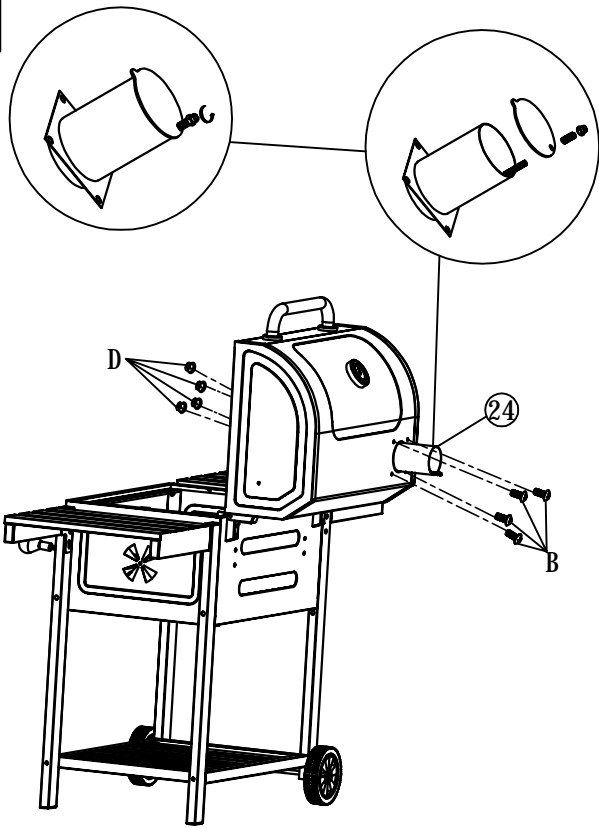
D		4PCS
E		4PCS



16



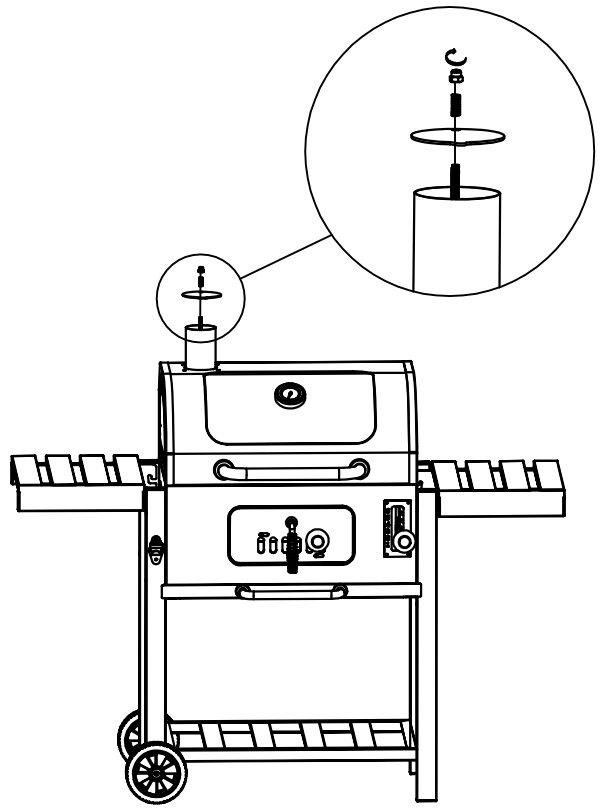
G		2PCS
H		2PCS

17

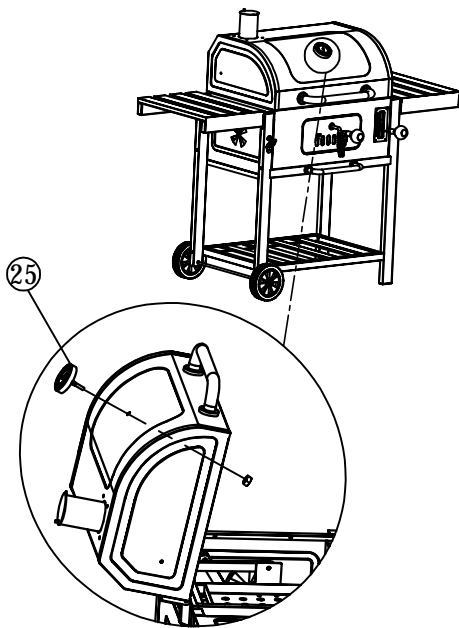


D		4PCS
B		4PCS

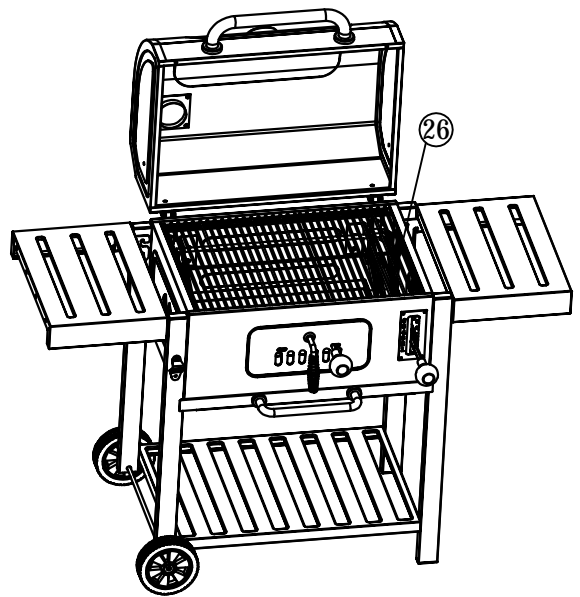
18

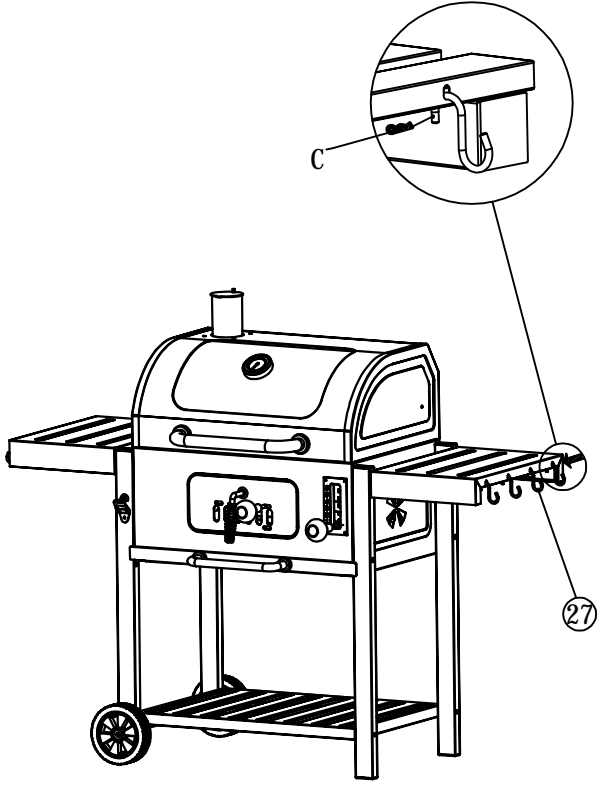


19



20





C		8PCS
---	---	------