
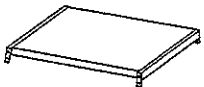
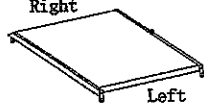





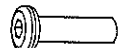
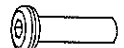
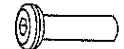





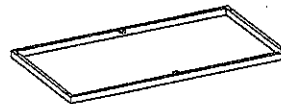
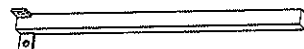
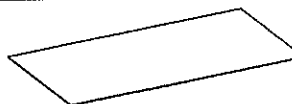




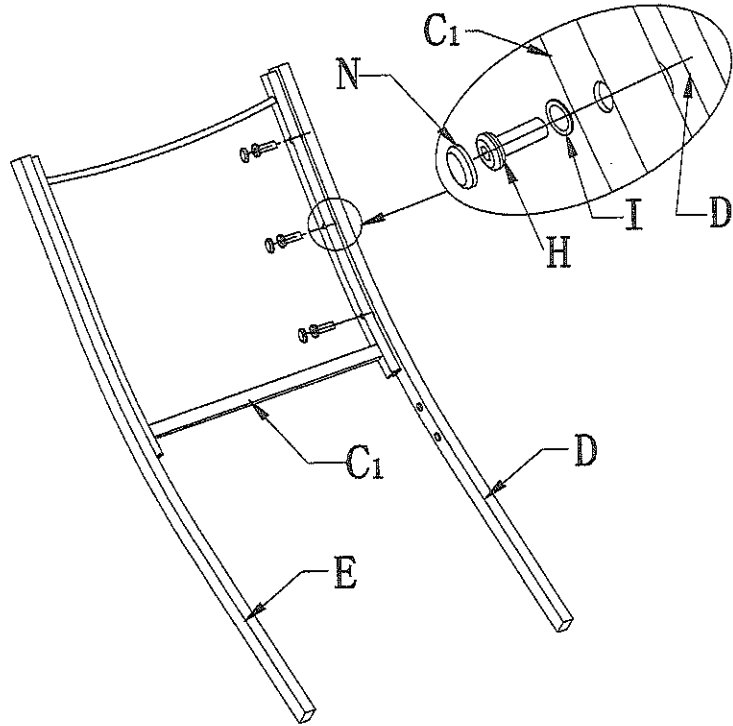
Parts and Hardware List

A				6
B ₁		2	B ₂  Right	1
C ₁		2	C ₂  Left	1
D			Right	3
E			Left	3
F			M6*55	18
G			M6*35	12
H			M6*30	19
I			φ13*φ6.5*1	70

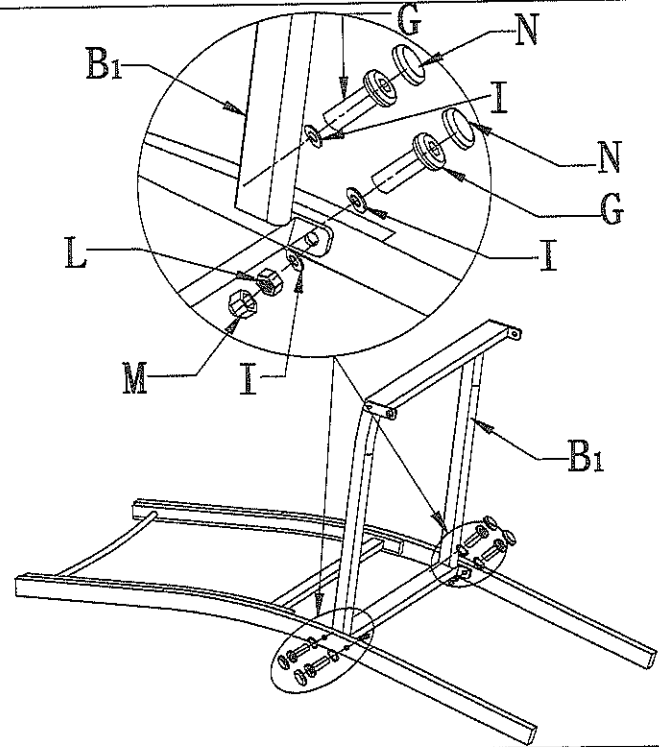
L		M6	13
M		M6	13
N		M6	57
O		S=4	2
P		S=10	2
Q			1
R			4
S			1
T		M6*20	8
U		φ10*φ6.5*2	8

Don't tight all screws before assemble completely

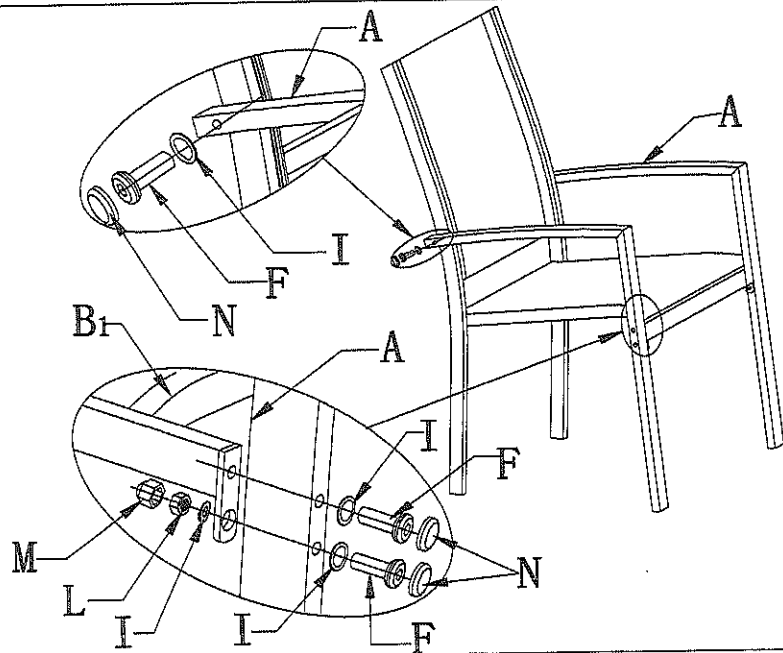
①



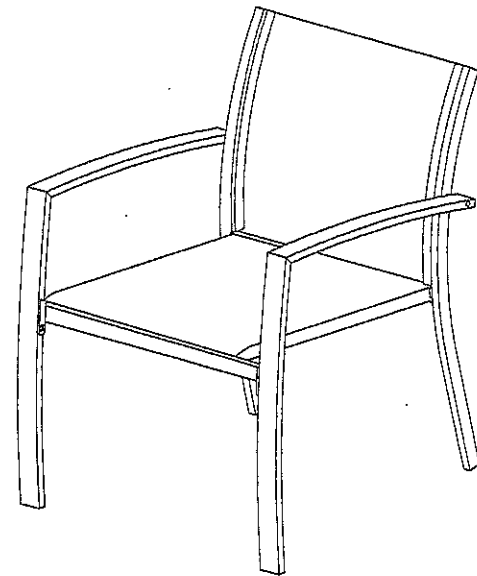
②



③

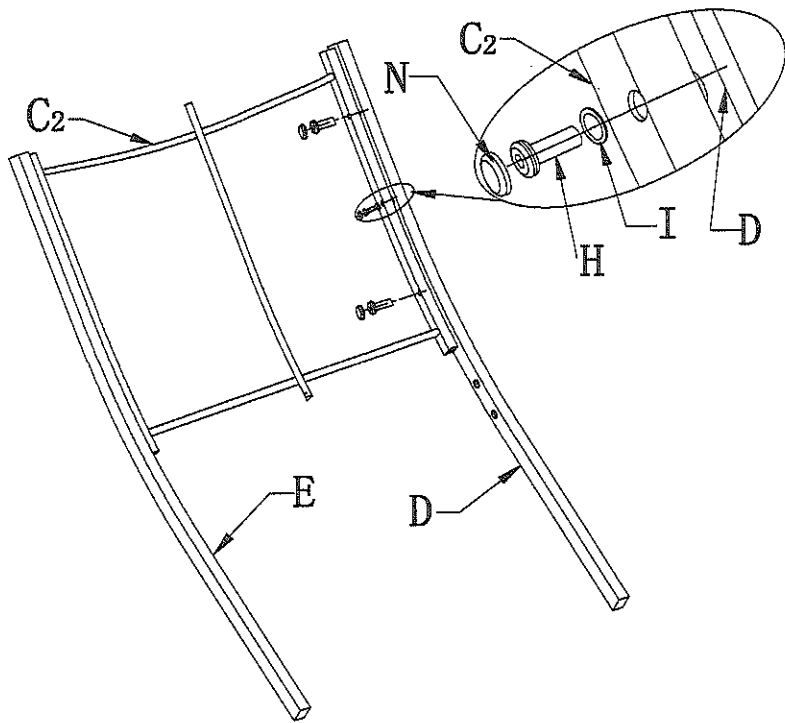


④

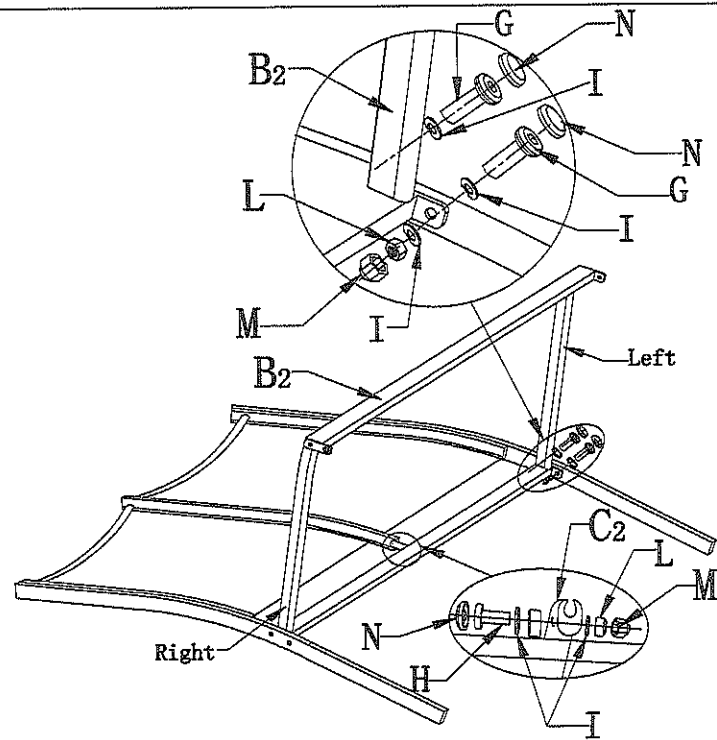


Don't tight all screws before assemble completely

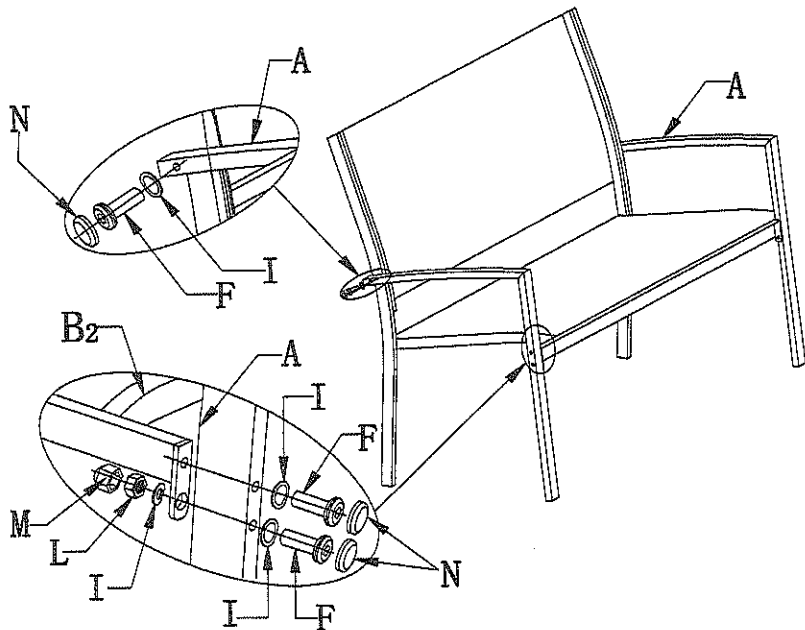
①



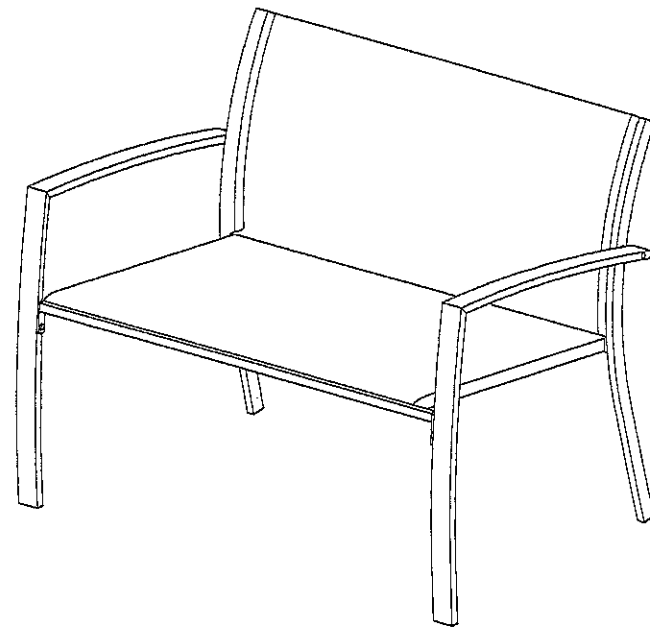
②



③

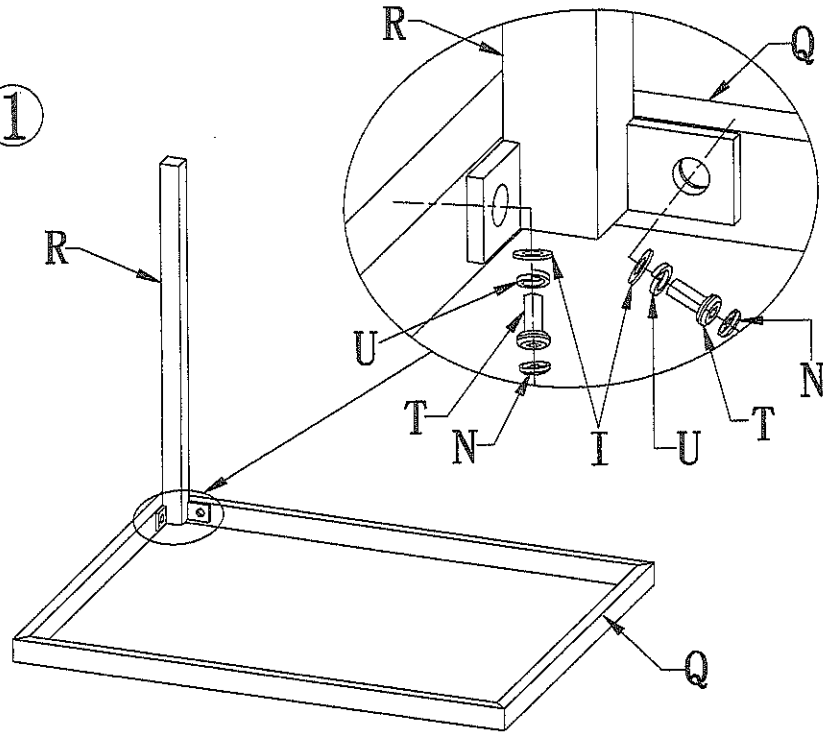


④

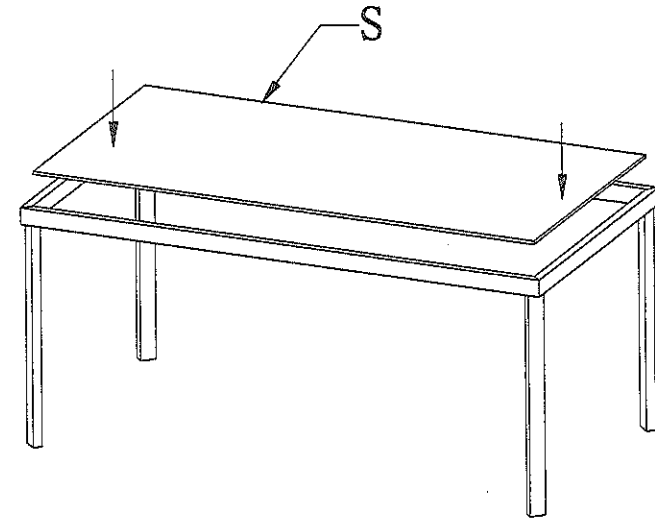


Don't tight all screws before assemble completely

①



②



③

