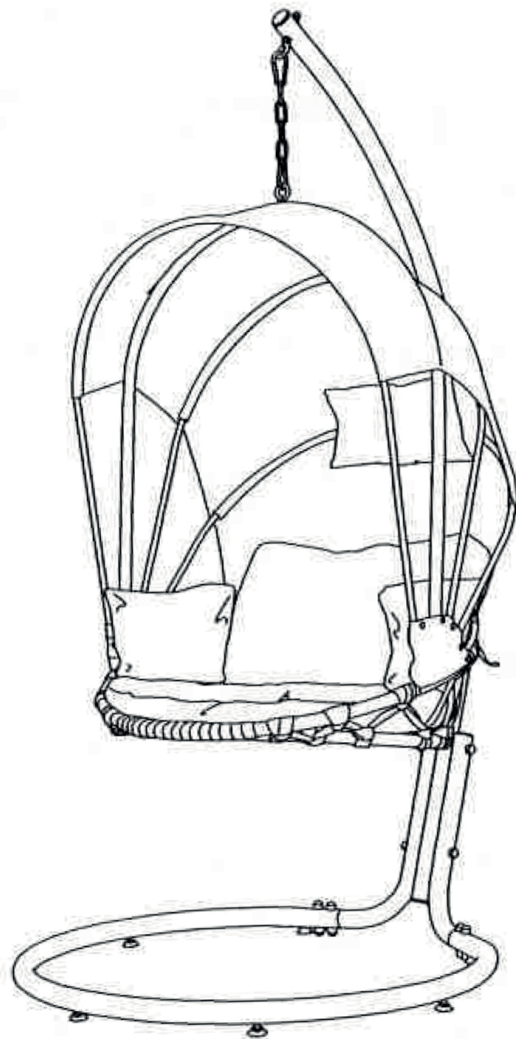
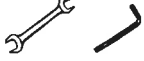


**PATIO SWING CHAIR**  
**stand 318 instruction**



# PARTS

TOOLS:



≈ 30 mins



## PARTS LIST

A x1



B x2



C x1



D x1



E x1



F x1



G x1



## PARTS LIST

H x2



J x1



K x1



## ACCESSORIES

1 x2



2 x4



3 x16



4 x14



5 x14



6 x12



7 x7



8 x1



9 x2

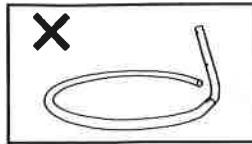
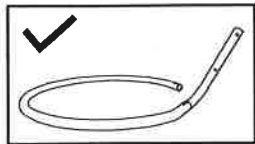
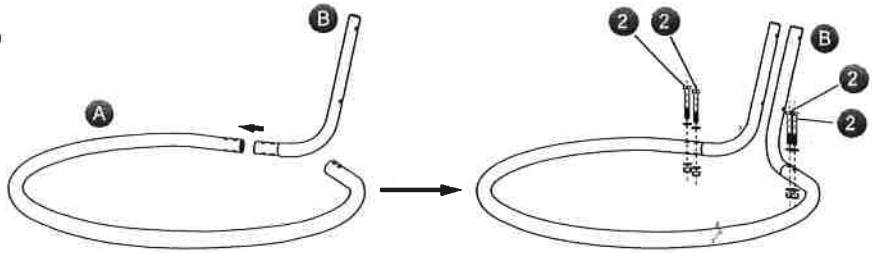


10 x1

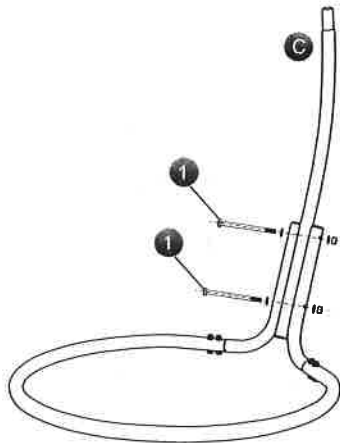


# ASSEMBLY

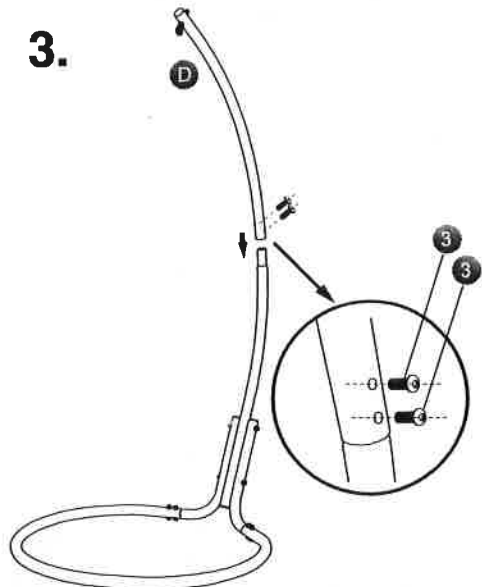
1.



2.

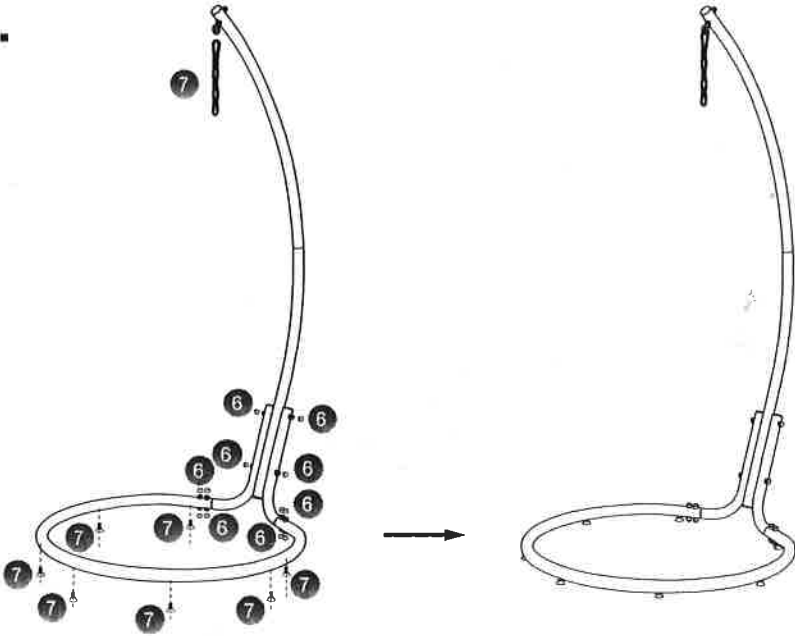


3.

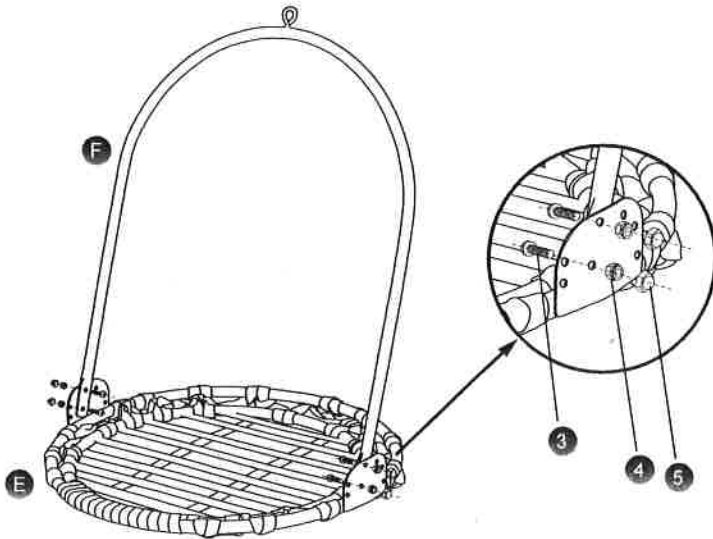


**ASSEMBLY**

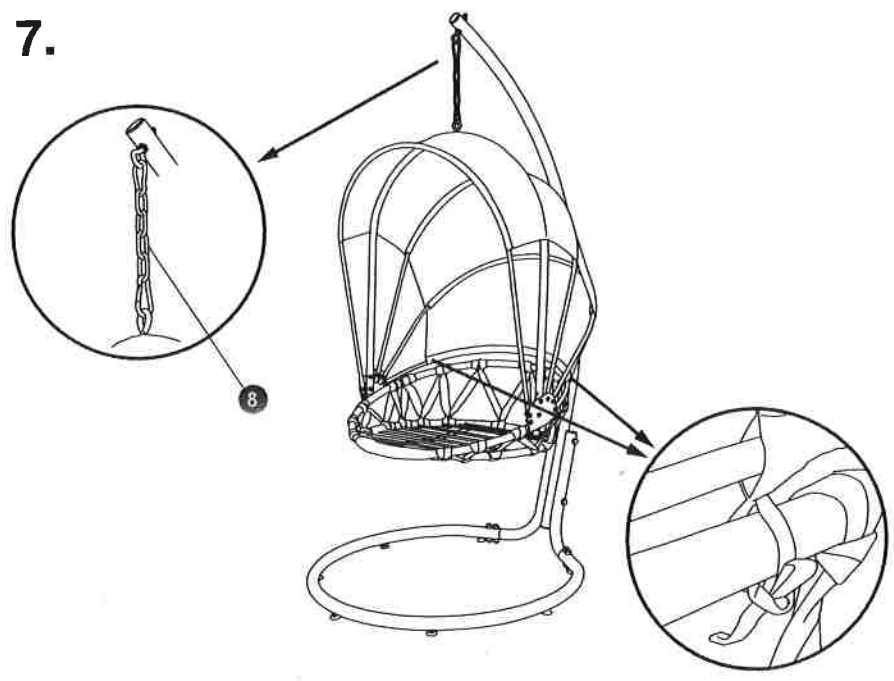
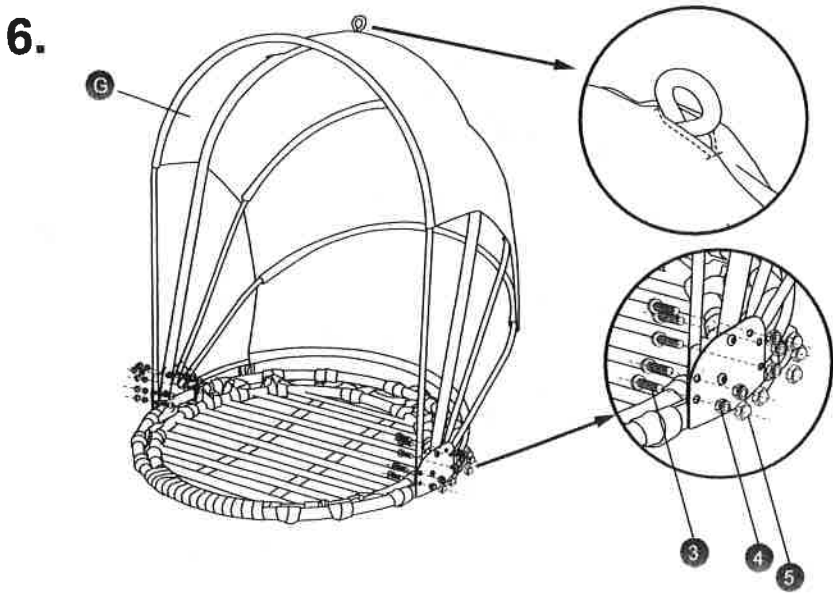
**4.**



**5.**



**ASSEMBLY**



**ASSEMBLY**

**8.**

