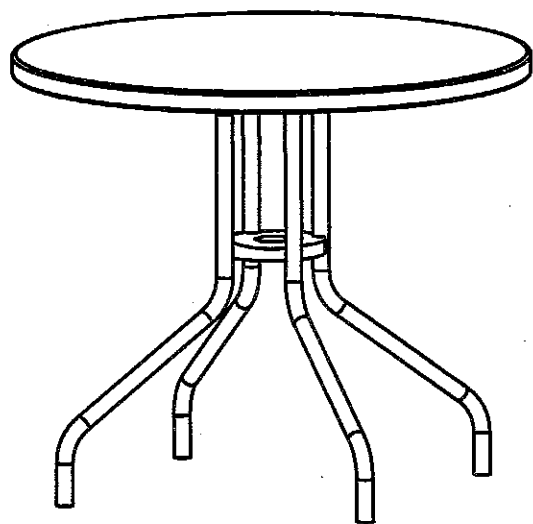
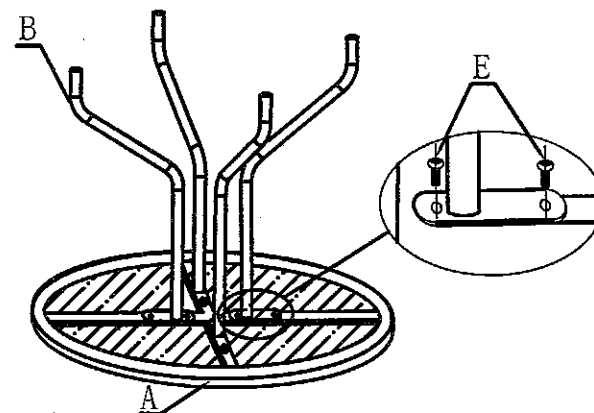


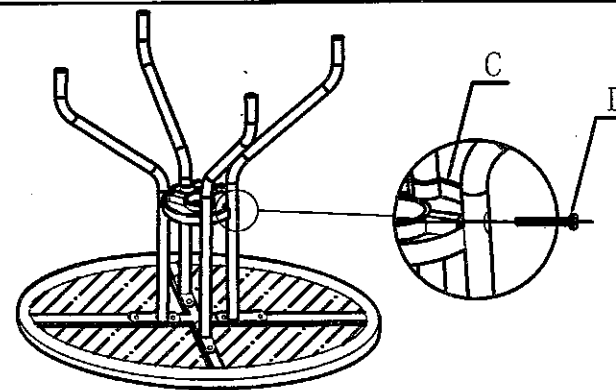
# ASSEMBLE MANUAL FOR SZY-80LKD



①



②



③

