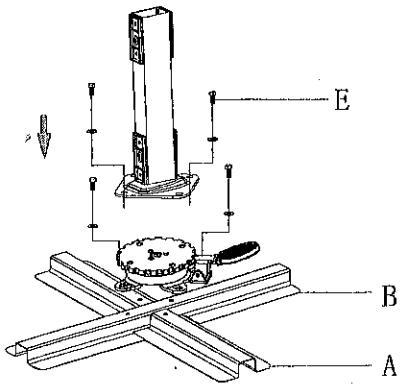
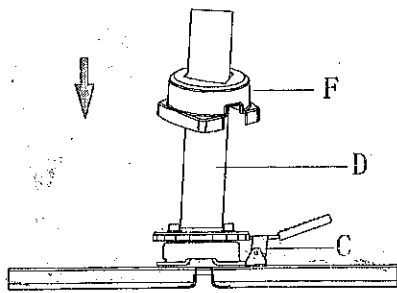


6713

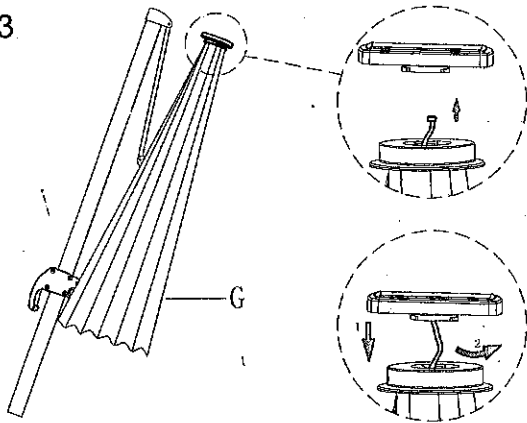
1



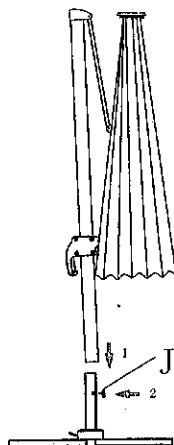
2



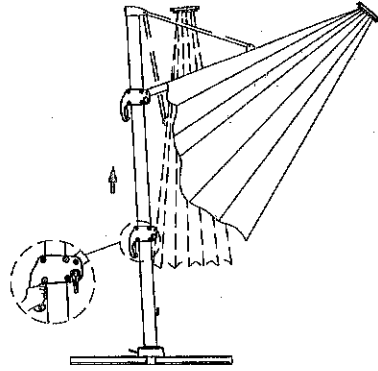
3



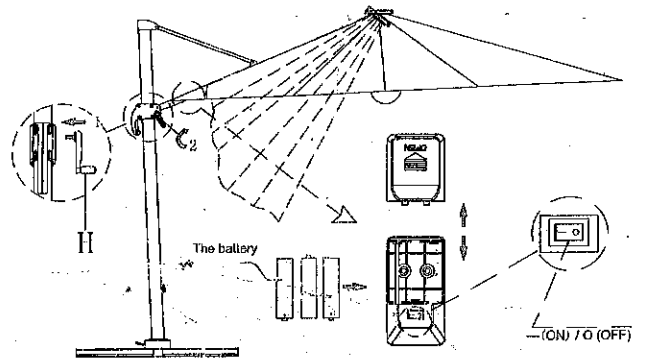
4



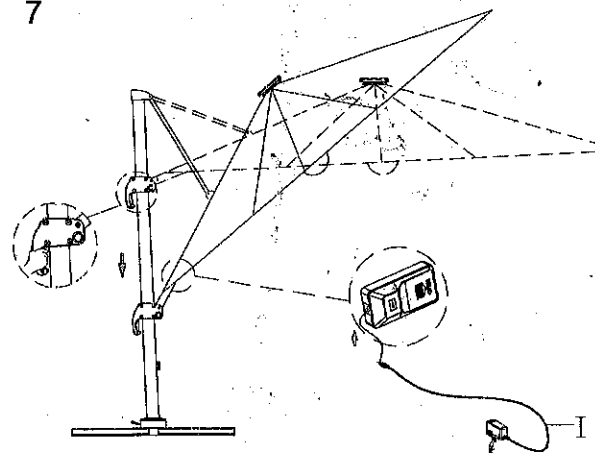
5



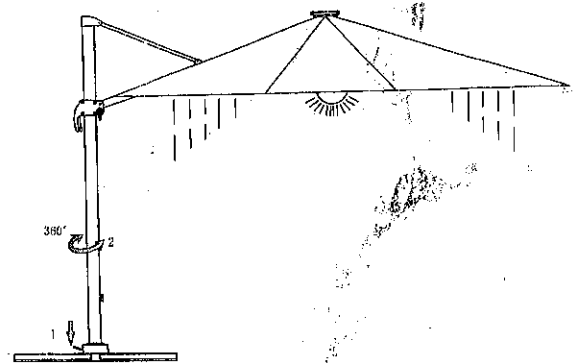
6

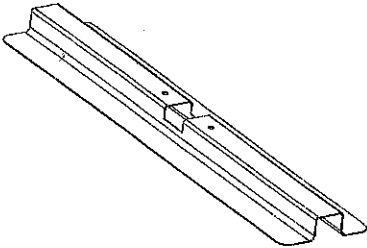
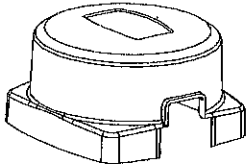
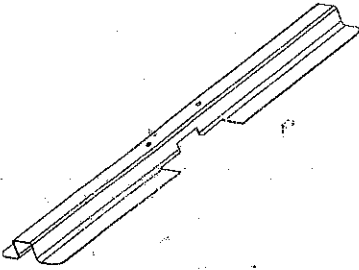
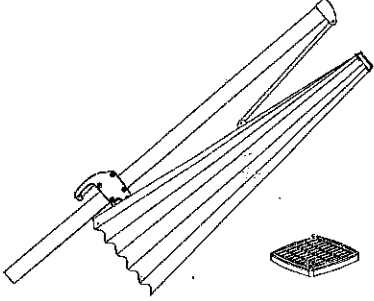
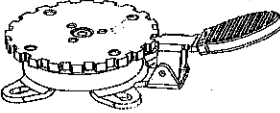
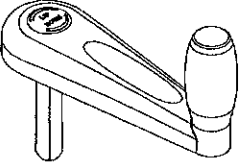
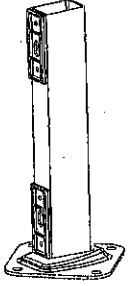
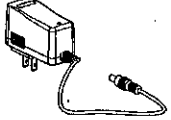
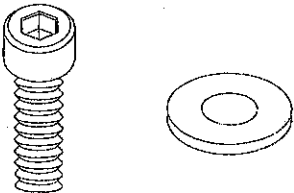
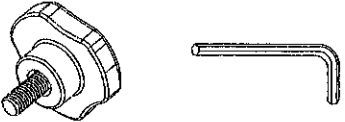


7



8



PART	PICTURE	QTY	PART	PICTURE	QTY
A		1	F		1
B		1	G		1
C		1	H		1
D		1	I		1
E	 <p data-bbox="268 2056 432 2107">(M8x15)</p> <p data-bbox="507 2056 603 2107">(M8)</p>	8	J		1